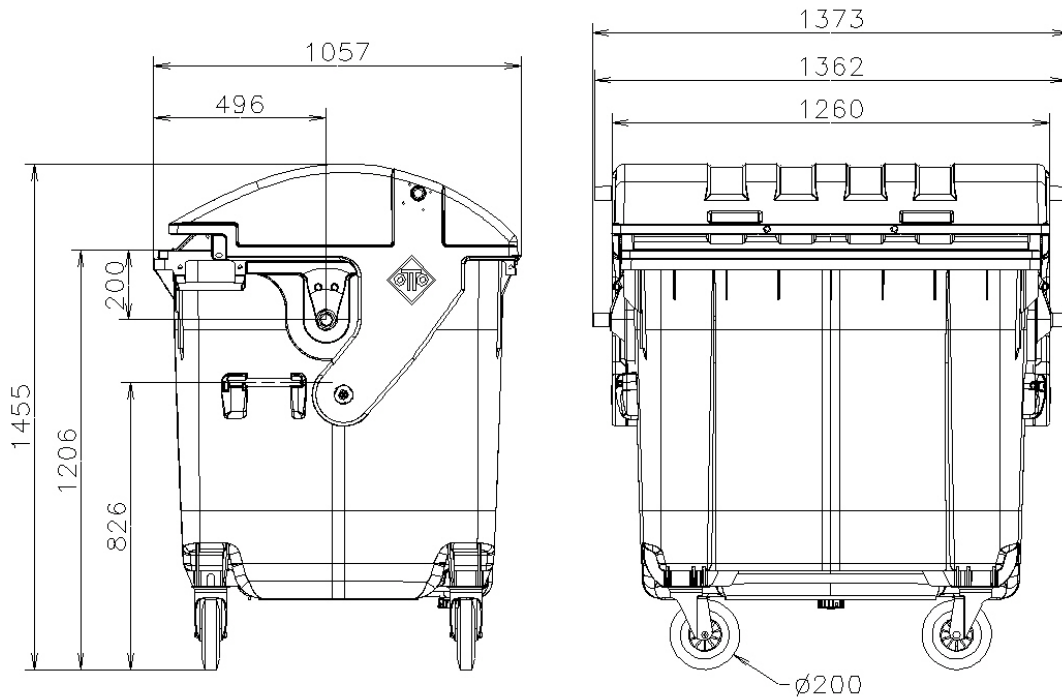


MGB 1100L dome lid container

DIN Version 2003



Technical Data

Capacity	: 1100L
Weight	: 58 kg
Material	: HDPE, UV-stabilized
Wheels	: 4 wheels Ø200 mm (2 with wheel stop)
Lid / body fixation	: lifting trunnion with reinforcing tubes
Child security	: standard with 2 buttons and gravity release

Options :

- *Lid-in-lid*
- *Paper hood big*
- *Glass/can insert*
- *Direction lock castors*
- *Set of wheel stop castors (4-fold)*
- *Central brake system (CBS)*
- *Lifting handle (incl. at CBS)*
- *Towing equipment*
- *Fork lift pockets*
- *Diamond lock in lid arm (open/closed)*
- *Child security without gravity release (simple hook)*



OTTO R&D

**42 rue Paul Sabatier - B.P. 329
F - 71108 Chalons-sur-saône Cedex**

Issued on : 14/10/03
Approved by : SdB

Ref: gb_otto_OES
Technical changes possible