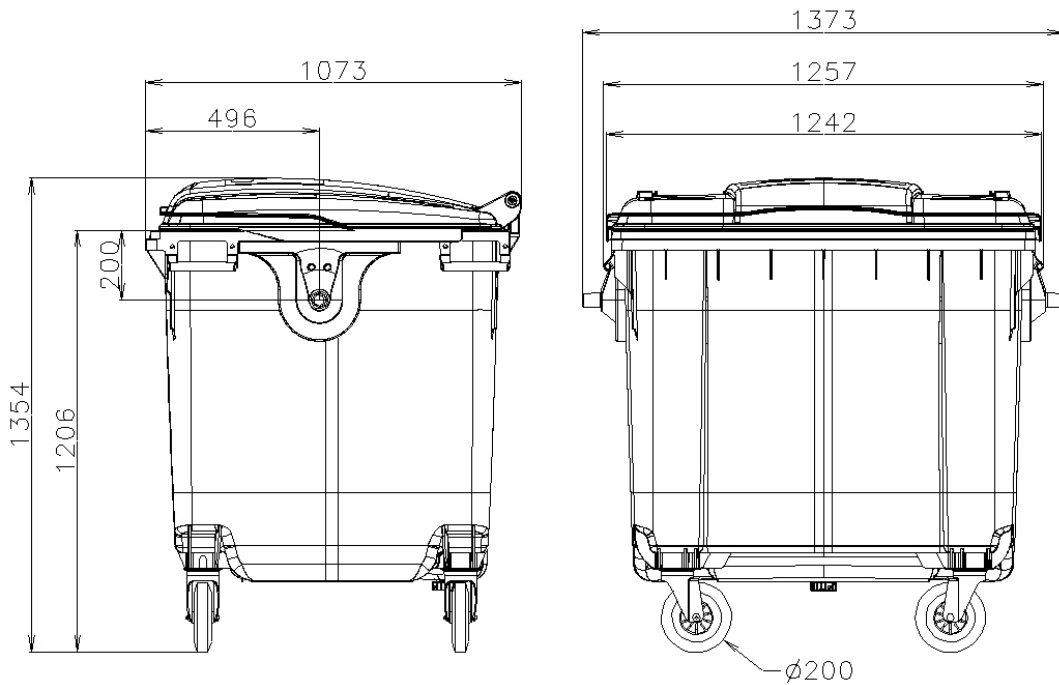


1100L flat lid container

Din version 2003



Technical data

Capacity	: 1100 l
Weight	: 50 kg (lid: 7,7 kg)
Material	: HDPE – UV stabilized
Wheels	: 4 rubber wheels Ø200 mm (2 with wheel stop) 2 trunnions with steel reinforcement
Lid / body fixation	: 4 hinge pins with discharging springs

Options :

- *Lid-in-lid*
- *Paper hood big*
- *Glass/can insert*
- *Direction lock castors*
- *Set of wheel stop castors (4-fold)*
- *Central brake system (CBS)*
- *Lifting handle (incl. at CBS)*
- *Towing equipment*
- *Fork lift pockets*
- *Foot opening*
- *Pad lock*
- *Diamond lock*
- *Gravity lock*
- *30° lid opening*



OTTO R&D

**42 rue Paul Sabatier - B.P. 329
F - 71108 Chalons-sur-saône Cedex**

Issued on : 14/10/03
Approved by : SdB

Ref: gb_otto_ottord
Technical changes possible