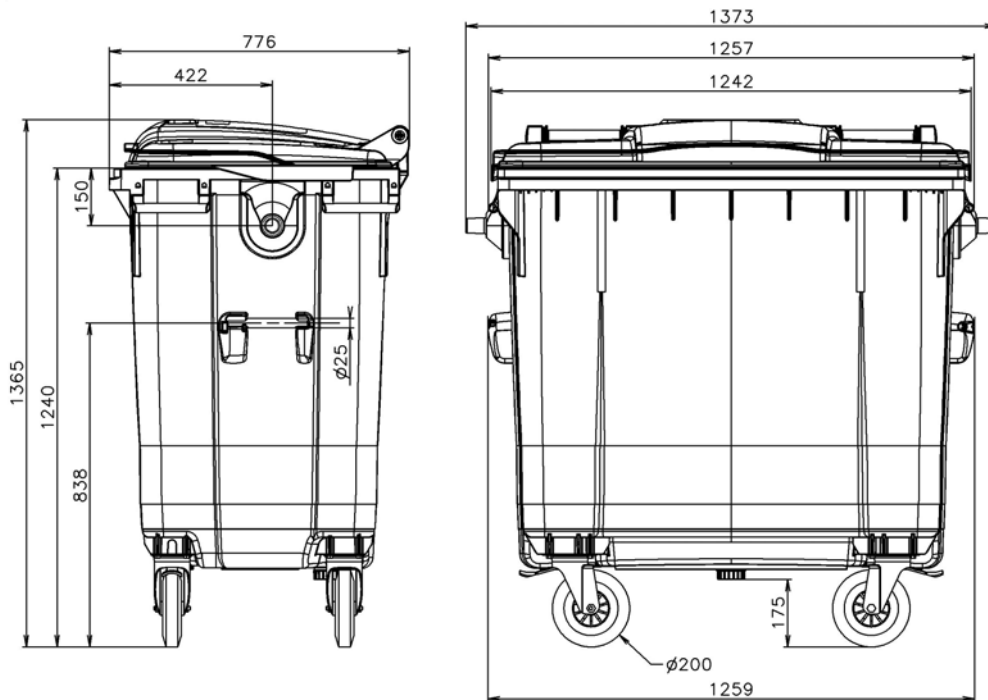


770I SL

DIN version



TECHNICAL DATA

Capacity	770l
Weight	45kg
Material	HDPE, UV stabilized
Wheels	4 rubber wheels $\phi 200$ mm (2 with wheel stop)
Trunnions	with steel reinforcement
Lid / body fixation	4 hinge pins with discharging springs

OPTIONS

- Lid in lid
- Paper hood (big/small)
- Glass / can insert
- Alternative wheels, e.g. $\phi 160$ mm
- Central brake system (CBS)
- Lifting handle (incl. at CBS)
- Towing equipment
- Fork lift pockets
- Foot opening
- Pad lock
- Triangular lock
- Gravity lock
- 30° lid opening

